

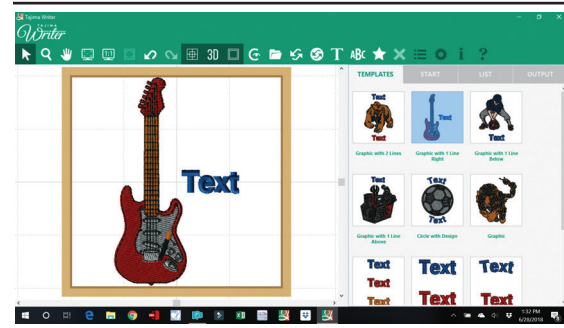
Font Examples

A B C a b r 1 2 3 **A B C a b c 1 2 3** *A B C a b c 1 2 3* *A B C a b c 1 2 3* **A B C a b c 1 2 3**
A B C a b c 1 2 3 **A B C a b c 1 2 3** **A B C a b c 1 2 3** **A B C a b c 1 2 3**
A B C a b c 1 2 3 *A B C a b c 1 2 3* **A B C a b c 1 2 3** **A B C a b c 1 2 3**
A B C a b c 1 2 3 **A B C a b c 1 2 3** **A B C a b c 1 2 3** **A B C a b c 1 2 3**

Example of Tajima Writer's basic operation

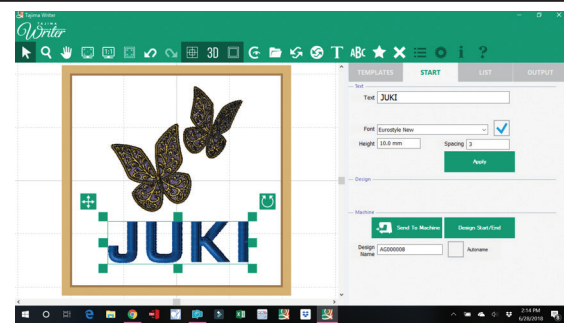
1 Choose

Choose the template you would like to use.



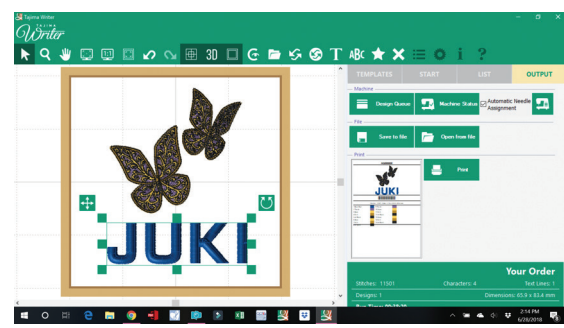
2 Create

Choose a design and input the letters. Size, placement, color, and font can be edited.



3 Transmit

When the embroidery data is complete, transmit the data to the SAI. Now, all the machine has to do is read the pattern and start the embroidery.



SAI User's Site

TAJIMA Writer can be downloaded from the SAI Users' Site, an exclusive site for our users that have purchased a SAI machine.

When you purchase a SAI, you will be provided with the necessary information for downloading applications, such as an ID and password.

Tutorials and manuals for Tajima Writer can also be downloaded from the SAI Users' Site.
<https://members.tajima.com/sai/users/top.php>

Recommended PC Specifications

CPU: Dual Core 2 GHz or above equivalent to an Intel Pentium 4
OS: Microsoft Windows 7 or later (64-bit OS only)
RAM: 4GB
HDD: Free Space of 1GB or more

Specifications

| | |
|--------------------------|--|
| Head | : 1 |
| Needles | : 8 |
| Sewing speed | : Max speed 800 stitches / min. |
| Voltage rating | : AC 100 - 120 V, 200 - 240 V (50 / 60 Hz) UL specification only 120 V |
| Power consumption | : 100 W |
| Automatic thread trimmer | : Yes |
| Thread break sensor | : Yes |
| File format | : .dst .tof etc. |
| Main unit weight (net) | : 37 kg (82 lbs) |
| Main unit dimensions | : W: 555 mm (21.9 inch) x H: 668 mm (26.3inch) x D: 578 mm (22.8 inch) |
| Maximum embroidery area | : D: 200 mm (7.8 inch) x W: 300 mm (11.8 inch) |
| Model number | : MDP-S0601C (200 x 300) S |



TAJIMA SAI

Supplied by
JUKI **QVP**
 Quality, Vision, Professional



8-Needle
Embroidery
Machine

JUKI

JUKI AMERICA INC.
 8500 NW 17th STREET, SUITE 100
 MIAMI, FLORIDA 33126-1008, USA
 TEL: 1-305-594-0059 FAX: 1-305-594-0720
www.jukiquilting.com

* Windows® 7 is a trademark or registered trademark of Microsoft Corporation.
 * Product specifications are subject to change without notice.
 * The actual embroidery area and embroidery speed may vary depending on the items being produced, the machine model, and the embroidering conditions.
 * Caution: No registered trademark or product design contained in this catalog may be used without prior permission from the manufacturer.





Capable of professional quality finish using 8 colors.

It is possible to embroider multi color designs with 8 needles and easily change threads. Its layout makes it easy to change threads. With a structure that inherits the structure of the high performance of industrial embroidery machines, fine lines and wide areas can also be beautifully embroidered.



Exceptionally fast

SAI operates at a maximum speed of 800 stitches per minute and is capable of maintaining stitch speed during stitch length changes.



Easy operation using a touch panel

Even those new to the art of embroidery will quickly learn the easy to use, intuitive touch panel to prepare the machine to embroider.



Lettering and editing software "TAJIMA Writer"

Data for monogramming can be combined with pre-existing embroidery data using TAJIMA Writer. Connect SAI to your computer using a network, and Writer will send the embroidery data directly to SAI.

* TAJIMA Writer is compatible with 64 bit versions only of Windows 7 or later.




Lettering can be selected on the operation panel

Enter the letters on the operation panel, the embroidery data can be generated on the machine. There are 3 different sizes for each font.

Fonts selectable from the touch panel

| | | |
|---|---|---|
| <p>Block New</p> <ul style="list-style-type: none"> Block New | <p>FULL BLOCK</p> <ul style="list-style-type: none"> FULL BLOCK | <p>Inscription</p> <ul style="list-style-type: none"> Inscription |
| <p>Russ Times New</p> <ul style="list-style-type: none"> Russ Times New | <p>Jiggles</p> <ul style="list-style-type: none"> Jiggles | <p>Old English</p> <ul style="list-style-type: none"> Old English |

2 Sets of Accessories are Included

| | | |
|--|---|---|
|  <p>Large Tubular Frame</p> <p>Embroidery Space D: 200mm x W: 300mm (7.8 inch) (11.8 inch)</p> |  <p>Small Tubular Frame</p> <p>Embroidery Space D: 100mm x W: 100mm (3.9 inch) (3.9 inch)</p> |  <p>Cap Frame</p> <p>Embroidery Space D: 75mm x W: 300mm (2.9 inch) (11.8 inch)</p> |
|--|---|---|



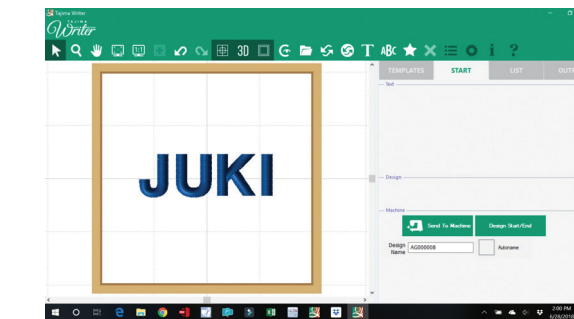
Additional Features

- Auto Thread Trimming:**
Auto thread trims in between jumps, when changing colors and at the end of a design for a clean finish.
- Easy and Accurate Design Placement:**
The laser positioning system makes lining up your start point and tracing your design easier than ever before. Take out the guesswork before you stitch.
- Thread Detection System:**
Detects any thread breakage in any of the 8 upper threads or under thread during operation. The machine will automatically stop when thread breakage is detected.
- Compact Design:**
Perfect fit for any home studio, small business specialty markets, or mobile embroidery business. Handles allow for easy lifting, portability, and tabletop readiness.
- Slim Cylinder Free Arm:**
A slim cylinder makes it possible to embroider on small objects. Socks, gloves, and pockets are no longer a struggle.
- Faster Production:**
Two sets of each frame are included to facilitate production time by allowing you the ability to set up your next project.
- Bright Workspace:**
Bright LED bulbs provide exceptional lighting to a 12" x 8" sewing field.

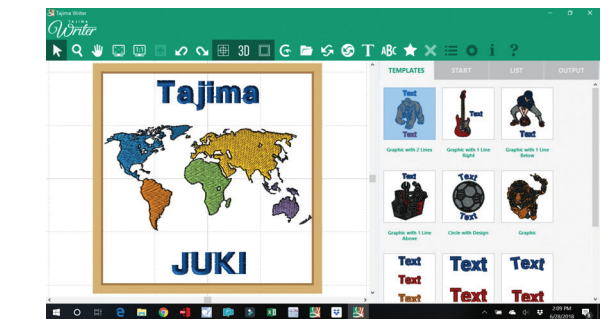


Software included as standard that combines text and existing designs

Simple creation of embroidery text!



Place your design and text wherever you want them!



Basic Functions

- Creation of embroidery text data (Number of fonts: **31 alphabet fonts**)
- Combining text with existing designs
- More than 1,000 embroidery designs pre-installed
- Thread color management synchronized with SAI
- Functionality for registering designs to the design gallery and retrieving them
- Transmission of embroidery data between the PC (Writer) and SAI via LAN connection

Additional Functions

- Sketchbook: Use the computer that has touch screen feature to create embroidery designs like painting a picture.
- Auto Digitizer: Convert images (.jpg) to embroidery data automatically.
- Photo Stitch: Convert photo files to embroidery data by a unique conversion method.
- True Type Font Conversion: Convert True Type Fonts to embroidery data.
- Digitalizing Tools: Use mouse to trace the outline of image to create embroidery data. (This feature is deactivated by default)

